

ABOWYER INC has been building the finest custom single bevel broadheads available since the early 1990's.

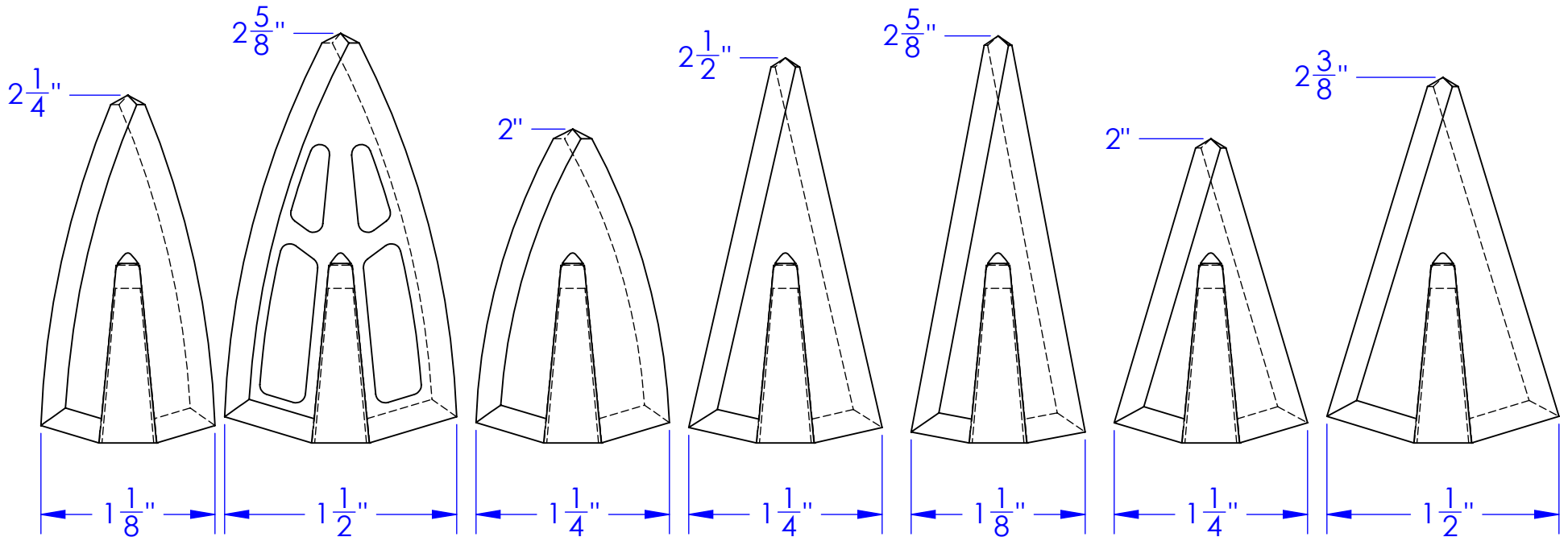
Our broadheads are built around the most robust glue on broadhead design in the industry.

Fully machined ferrules and CNC cut blades ensure the highest level of precision in broadheads.

Abowyer heads are made from knife grade 1075 carbon steel and are heat treated to 52 RC for the perfect balance between edge retention and ease of sharpening. Abowyer broadheads are made right here in America one at a time in our shop.

Every single broadhead is inspected and packaged by us.

LIFETIME WARRANTY: Abowyer broadheads have a lifetime guarantee. Any problem, quality or performance your product will be replaced



190 GRAIN
1 1/8 X 2 1/4
ABOWYER
JAVELINA

215 GRAIN
1 1/2 X 2 5/8
ABOWYER
WHITETAIL

190 GRAIN
1 1/4 X 2
ABOWYER
ANTELOPE

175 GRAIN
1 1/4 X 2 1/2
ABOWYER
WAPITI

175 GRAIN
1 1/8 X 2 5/8
ABOWYER
BROWN BEAR

145 GRAIN
1 1/4 X 2
ABOWYER
BONEHEAD

210 GRAIN
1 1/2 X 2 3/8
ABOWYER
LG BONEHEAD

ABOWYER BROADHEADS LEFT AND RIGHT WING AVAILABLE

FOR OUR FULL LINE OF BROADHEADS
VISIT US ON THE WEB AT
WWW.ABOWYER.COM